

customized highest state QUALITY highest state QUALITY  
**PRECISION OF THE ART**  
**VALVOLE UNIFIT**  
**UNLOADER VALVES - REGULATEURS - REGULADORES**



Valvole regolazione pressione con by-pass esterno  
 Unloader valves with external by-pass  
 Régulateurs de pression avec by-pass  
 Válvulas de regulación de presión con by-pass

Temperatura max: 60°C - 140°F  
 Max temperature: 60°C - 140°F  
 Température max: 60°C - 140°F  
 Temperatura máx: 60°C - 140°F

**UNIFIT 20**



CODICE CODE (*)	COLOR	MODELLO MODEL	PRESSIONE MAX MAX PRESSURE		PORTATA FLOW		Attacco pompa Port size	Uscita Outlet	Scarico By-pass	PESO WEIGHT	
			BAR	PSI	l/min	GPM				Kg	lbs
05.8730.97.3	Orange	UNIFIT 20	140	2000	30	8.0	3/8 BSP - M	3/8 BSP - M	3/8 BSP - M	0.6	1.3
05.8733.97.3	Orange	UNIFIT 20	140	2000	30	8.0	3/8 BSP - M	22x1.5 - M	3/8 BSP - M	0.6	1.3

**UNIFIT.I 20**



CODICE CODE (*)	COLOR	MODELLO MODEL	PRESSIONE MAX MAX PRESSURE		PORTATA FLOW		Attacco pompa Port size	Uscita Outlet	Scarico By-pass	PESO WEIGHT	
			BAR	PSI	l/min	GPM				Kg	lbs
05.8731.97.3	Orange	UNIFIT.I 20 Fixed injector 2.1 (*)	140	2000	15	4.0	3/8 BSP - M	3/8 BSP - M	3/8 BSP - M	0.64	1.4
05.8734.97.3	Orange	UNIFIT.I 20 Fixed injector 2.1 (*)	140	2000	15	4.0	3/8 BSP - M	22x1.5 - M	3/8 BSP - M	0.64	1.4
05.8732.97.3	Orange	UNIFIT.I 20 Adjust injector 2.1 (*)	140	2000	15	4.0	3/8 BSP - M	3/8 BSP - M	3/8 BSP - M	0.68	1.5
05.8735.97.3	Orange	UNIFIT.I 20 Adjust injector 2.1 (*)	140	2000	15	4.0	3/8 BSP - M	22x1.5 - M	3/8 BSP - M	0.68	1.5

**UNIFIT 30**



CODICE CODE (*)	COLOR	MODELLO MODEL	PRESSIONE MAX MAX PRESSURE		PORTATA FLOW		Attacco pompa Port size	Uscita Outlet	Scarico By-pass	PESO WEIGHT	
			BAR	PSI	l/min	GPM				Kg	lbs
05.8736.97.3	Blue	UNIFIT 30	210	3000	30	8.0	3/8 BSP - M	3/8 BSP - M	3/8 BSP - M	0.6	1.3
05.8739.97.3	Blue	UNIFIT 30	210	3000	30	8.0	3/8 BSP - M	22x1.5 - M	3/8 BSP - M	0.6	1.3

**UNIFIT.I 30**



CODICE CODE (*)	COLOR	MODELLO MODEL	PRESSIONE MAX MAX PRESSURE		PORTATA FLOW		Attacco pompa Port size	Uscita Outlet	Scarico By-pass	PESO WEIGHT	
			BAR	PSI	l/min	GPM				Kg	lbs
05.8737.97.3	Blue	UNIFIT.I 30 Fixed injector 2.1 (*)	210	3000	15	4.0	3/8 BSP - M	3/8 BSP - M	3/8 BSP - M	0.64	1.4
05.8740.97.3	Blue	UNIFIT.I 30 Fixed injector 2.1 (*)	210	3000	15	4.0	3/8 BSP - M	22x1.5 - M	3/8 BSP - M	0.64	1.4
05.8738.97.3	Blue	UNIFIT.I 30 Adjust injector 2.1 (*)	210	3000	15	4.0	3/8 BSP - M	3/8 BSP - M	3/8 BSP - M	0.68	1.5
05.8741.97.3	Blue	UNIFIT.I 30 Adjust injector 2.1 (*)	210	3000	15	4.0	3/8 BSP - M	22x1.5 - M	3/8 BSP - M	0.68	1.5

(\*) Optional ugello eiettore 1.6-1.8-2.3 -Optional injector nozzle 1.6-1.8-2.3  
 Optionel buse injecteur 1.6-1.8-2.3 -Opción boquilla eyectora 1.6-1.8-2.3

# VALVOLE VD

## UNLOADER VALVES - REGULATEURS - REGULADORES

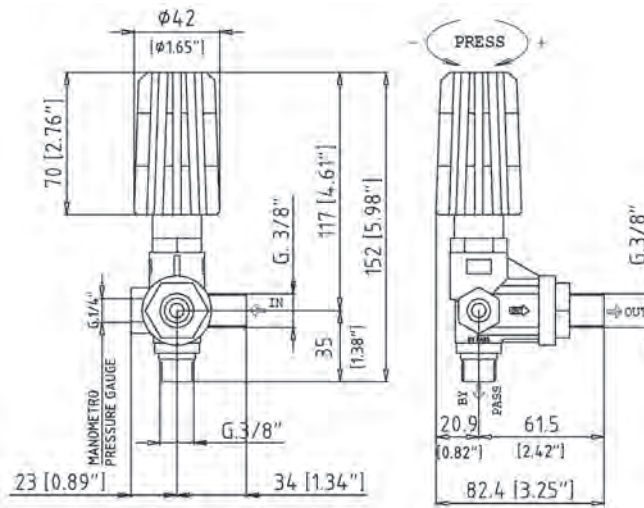
Valvole regolazione pressione con by-pass esterno  
 Unloader valves with external by-pass  
 Régulateurs de pression avec by-pass  
 Válvulas de regulación de presión con by-pass

Temperatura max: 60°C - 140°F  
 Max temperature: 60°C - 140°F  
 Température max: 60°C - 140°F  
 Temperatura máx: 60°C - 140°F

VD 140  
 VD 200  
 VD 280



CODICE CODE	COLOR	MODELLO MODEL	PRESSIONE MAX MAX PRESSURE		PORTATA FLOW		Attacco pompa Port size	Uscita Outlet	Scarico By-pass	PESO WEIGHT	
			BAR	PSI	l/min	GPM				Kg	lbs
05.9899.97.3	Green	VD 140	140	2000	30	8.0	3/8 BSP - M	3/8 BSP - M	3/8 BSP - M	0.73	1.6
05.9903.97.3	Green	VD 200	210	3000	30	8.0	3/8 BSP - M	3/8 BSP - M	3/8 BSP - M	0.73	1.6
05.9955.97.3	Green	VD 280	280	4000	30	8.0	3/8 BSP - M	3/8 BSP - M	3/8 BSP - M	0.73	1.6

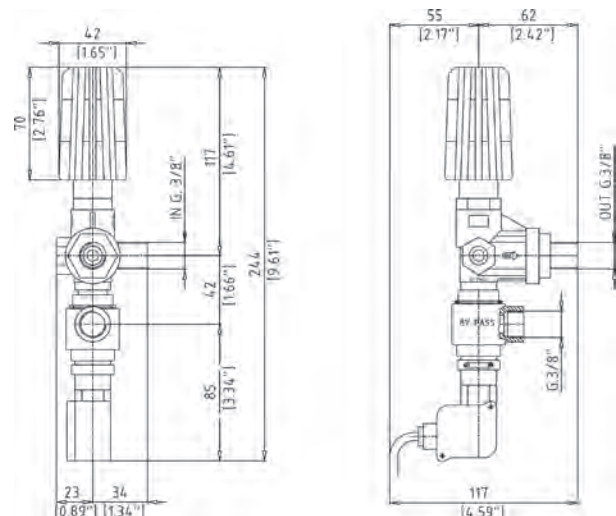
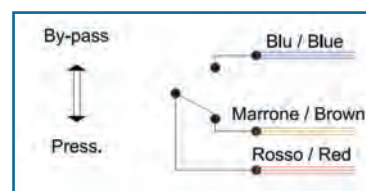


VD  
 CON MICROINTERRUTTORE  
 WITH MICRO-SWITCH



CODICE CODE	COLOR	MODELLO MODEL	PRESSIONE MAX MAX PRESSURE		PORTATA FLOW		Attacco pompa Port size	Uscita Outlet	Scarico By-pass	PESO WEIGHT	
			BAR	PSI	l/min	GPM				Kg	lbs
05.8762.97.3	Green	VD 140 MICRO-SWITCH	140	2000	30	8.0	3/8 BSP - M	3/8 BSP - M	3/8 BSP - F	0.95	2.1
05.8763.97.3	Green	VD 200 MICRO-SWITCH	210	3000	30	8.0	3/8 BSP - M	3/8 BSP - M	3/8 BSP - F	0.95	2.1
05.8764.97.3	Green	VD 280 MICRO-SWITCH	280	4000	30	8.0	3/8 BSP - M	3/8 BSP - M	3/8 BSP - F	0.95	2.1

CORRENTE MAX: 2 A  
 TENSIONE MAX: 250 V  
 MAX CURR. STRENGTH: 2 A  
 MAX VOLTAGE: 250 V



customized highest state OF THE ART highest QUALITY  
**VALVOLE VD**  
**UNLOADER VALVES - REGULATEURS - REGULADORES**

Valvole regolazione pressione con by-pass esterno  
 Unloader valves with external by-pass  
 Régulateurs de pression avec by-pass  
 Válvulas de regulación de presión con by-pass

Temperatura max: 60°C - 140°F  
 Max temperature: 60°C - 140°F  
 Température max: 60°C - 140°F  
 Temperatura máx: 60°C - 140°F

**VD 25/350**



CODICE CODE	MODELLO MODEL	PRESSIONE MAX MAX PRESSURE		PORTATA FLOW		Attacco pompa Port size	Uscita Outlet	Scarico By-pass	PESO WEIGHT	
		BAR	PSI	l/min	GPM				Kg	lbs
06.9818.97.3	VD 25/350	350	5100	25	6.5	3/8 BSP - M	3/8 BSP - F	3/8 BSP - F	0.86	1.9

Technical drawing details for VD 25/350:  
 - CH 36 (1.41')  
 - CB (1.41')  
 - 35.5 (1.39")  
 - 107.5 (4.23")  
 - 139.5 (5.49")  
 - 32 (1.25")  
 - G 1/4 MANOMETRO PRESSURE GAUGE  
 - G 1/2  
 - PRESS  
 - MADE IN ITALY  
 - G 3/8 IN  
 - 35 (1.37")  
 - 58 (2.28")  
 - 93 (3.66")  
 - G 3/8 OUT

**VD 80/280**



CODICE CODE	MODELLO MODEL	PRESSIONE MAX MAX PRESSURE		PORTATA FLOW		Attacco pompa Port size	Uscita Outlet	Scarico By-pass	PESO WEIGHT	
		BAR	PSI	l/min	GPM				Kg	lbs
06.9819.97.3	VD 80/280	280	4000	80	21	1/2 BSP - F	1/2 BSP - F	1/2 BSP - F	1.27	2.8

Technical drawing details for VD 80/280:  
 - PRESS  
 - 165.5 (6.52")  
 - 158.5 (6.24")  
 - 338.5 (13.33")  
 - 357 (14.05")  
 - 220 (8.66")  
 - 69 (2.72")  
 - 29 (1.14")  
 - 63 (2.48")  
 - G 1/2  
 - G 1/2  
 - G 1/2  
 - 43 (1.70")  
 - 31 (1.22")  
 - 65 (2.56")  
 - 96 (3.78")



# VALVOLE VD

## UNLOADER VALVES - REGULATEURS - REGULADORES

state customized highest QUALITY OF THE ART state customized highest QUALITY OF THE ART

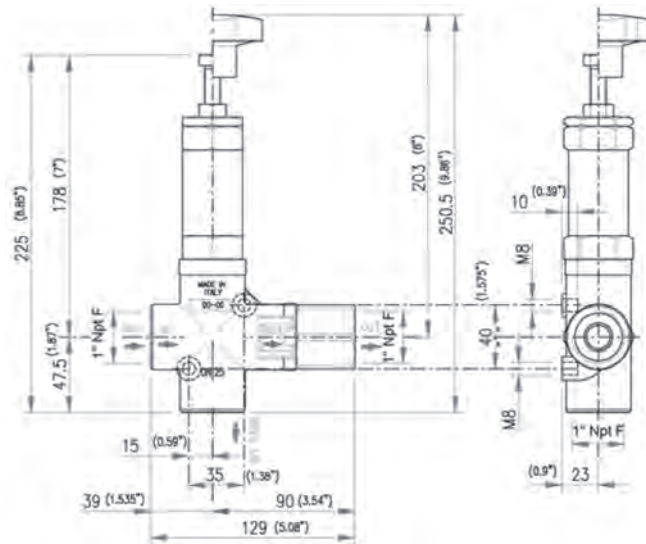
Valvole regolazione pressione con by-pass esterno  
 Unloader valves with external by-pass  
 Régulateurs de pression avec by-pass  
 Válvulas de regulación de presión con by-pass

Temperatura max: 60°C - 140°F  
 Max temperature: 60°C - 140°F  
 Température max: 60°C - 140°F  
 Temperatura máx: 60°C - 140°F

### VD 200/150



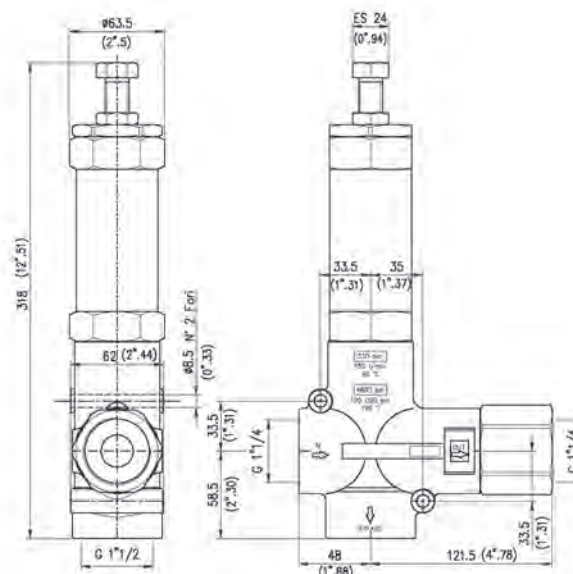
CODICE CODE	MODELLO MODEL	PRESSIONE MAX MAX PRESSURE		PORTATA FLOW		Attacco pompa Port size	Uscita Outlet	Scarico By-pass	PESO WEIGHT	
		BAR	PSI	l/min	GPM				Kg	lbs
73.9831.97.3	VD 200/150	150	2200	200	53	1" Npt - F	1" Npt - F	1" Npt - F	2.06	4.5
73.9903.97.3	VD 200/150	150	2200	200	53	1" BSP - F	1" BSP - F	1" BSP - F	2.06	4.5



### VD 450/200



CODICE CODE	MODELLO MODEL	PRESSIONE MAX MAX PRESSURE		PORTATA FLOW		Attacco pompa Port size	Uscita Outlet	Scarico By-pass	PESO WEIGHT	
		BAR	PSI	l/min	GPM				Kg	lbs
74.9800.97.3	VD 450/200	210	3045	450	120	1 1/4 BSP-F	1 1/4 BSP-F	1 1/2 BSP-F	5.95	13



customized highest state QUALITY  
 customized highest state QUALITY  
**VALVOLE VD (AISI 303 - 316)**  
**UNLOADER VALVES - REGULATEURS - REGULADORES**



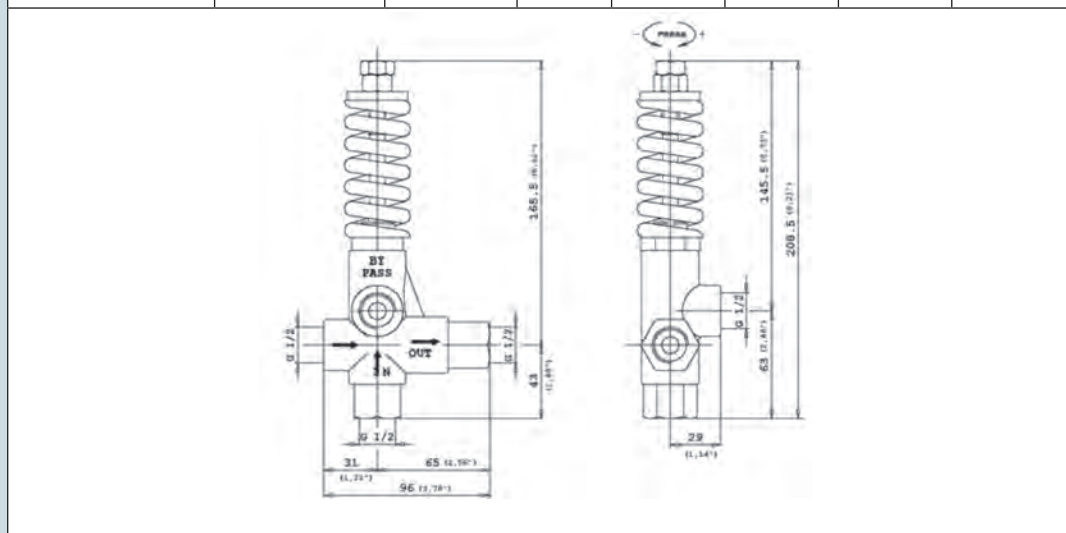
Valvole regolazione pressione in acciaio inossidabile con by-pass esterno  
 Stainless steel unloader valves with external by-pass  
 Régulateurs de pression en acier inox avec by-pass  
 Válvulas de regulación de presión en acero inox con by-pass

Temperatura max: 90°C - 195°F  
 Max temperature: 90°C - 195°F  
 Température max: 90°C - 195°F  
 Temperatura máx: 90°C - 195°F

**VD 80/150**



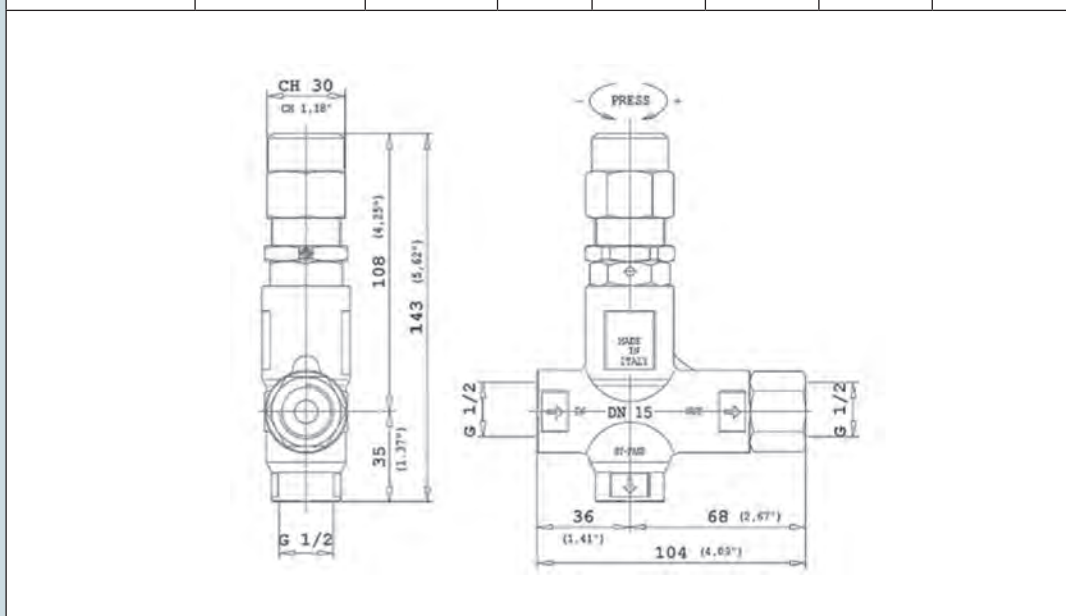
CODICE CODE	MODELLO MODEL	PRESSIONE MAX MAX PRESSURE		PORTATA FLOW		Attacco pompa Port size	Uscita Outlet	Scarico By-pass	PESO WEIGHT	
		BAR	PSI	l/min	GPM				Kg	lbs
06.9915.97.3	VD 80/150 (AISI 316)	150	2200	80	21	1/2 BSP - F	1/2 BSP - F	1/2 BSP - F	1.2	2.7



**VD 80/400**  
**VD 80/500**



CODICE CODE	MODELLO MODEL	PRESSIONE MAX MAX PRESSURE		PORTATA FLOW		Attacco pompa Port size	Uscita Outlet	Scarico By-pass	PESO WEIGHT	
		BAR	PSI	l/min	GPM				Kg	lbs
08.9828.97.3	VD 80/400 (AISI 303)	400	5800	80	21	1/2 BSP - F	1/2 BSP - F	1/2 BSP - F	0.89	1.95
08.9842.97.3	VD 80/500 (AISI 303)	500	7250	80	21	1/2 BSP - F	1/2 BSP - F	1/2 BSP - F	1.23	2.7





*state customized*  
**VALVOLE**  
**UNLOADER VALVES - REGULATEURS - REGULADORES**  
*highest QUALITY OF THE ART*  
*highest QUALITY*

Valvole di massima pressione  
 Pressure relief valves  
 Vannes de réglage de pression max.  
 Válvulas de maxima presión

Temperatura max: 60°C - 140°F  
 Max temperature: 60°C - 140°F  
 Température max: 60°C - 140°F  
 Temperatura máx: 60°C - 140°F

**STARA**



CODICE CODE	MODELLO MODEL	COLOR	PRESSIONE MAX MAX PRESSURE		PORTATA FLOW		Attacco pompa Port size	Uscita Outlet	Scarico By-pass	PESO WEIGHT	
			BAR	PSI	l/min	GPM				Kg	lbs
24.4018.97.3	STARA 40		40	590	50	13.2	1/2 BSP - F	N°2 3/8 BSP - F	3/4 BSP - M	0.55	1.2
24.4019.97.3	STARA 50		50	725	50	13.2	1/2 BSP - F	N°2 3/8 BSP - F	3/4 BSP - M	0.55	1.2

**STING**



CODICE CODE	MODELLO MODEL	PRESSIONE MAX MAX PRESSURE		PORTATA FLOW		Attacco pompa Port size	Uscita Outlet	Scarico By-pass	PESO WEIGHT	
		BAR	PSI	l/min	GPM				Kg	lbs
24.4000.97.3	STING 2 VIE	40	590	90	24	FLANGE (*)	N°2 1/2 BSP - M	3/4 BSP - M	1.25	2.7
24.4002.97.3	STING 3 VIE	40	590	90	24	FLANGE (*)	N°3 1/2 BSP - M	3/4 BSP - M	1.4	3
24.4005.97.3	STING 2 VIE	50	725	90	24	FLANGE (*)	N°2 1/2 BSP - M	3/4 BSP - M	1.25	2.7
24.4008.97.3	STING 3 VIE	50	725	90	24	FLANGE (*)	N°3 1/2 BSP - M	3/4 BSP - M	1.4	3

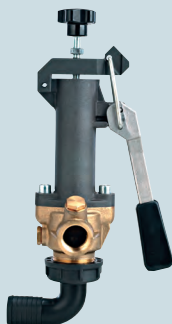
(\*) Per pompa C53.2 PP + cod. 31.8743.97.3 - (\*) For pump C53.2 PP + code 31.8743.97.3  
 Optional - da ordinare - to order - à commander - a pedir

**VS**



CODICE CODE	MODELLO MODEL	PRESSIONE MAX MAX PRESSURE		PORTATA FLOW		Attacco pompa Port size	Uscita Outlet	Scarico By-pass	PESO WEIGHT	
		BAR	PSI	l/min	GPM				Kg	lbs
73.9832.97.3	VS 1500	105	1500	220	58	3/4 BSP - M	---	1" BSP - M	1.62	3.5

**MOBY**



CODICE CODE	MODELLO MODEL	PRESSIONE MAX MAX PRESSURE		PORTATA FLOW		Attacco pompa Port size	Uscita Outlet	Scarico By-pass	PESO WEIGHT	
		BAR	PSI	l/min	GPM				Kg	lbs
24.6000.97.3 (*)	MOBY	70	1015	220	58	3/4 BSP - F	3/4 BSP - F	1"1/4 BSP-M	2.0	4.5
24.6010.97.3 (**)	MOBY	70	1015	220	58	3/4 BSP - F	3/4 BSP - F	1"1/4 BSP-M	1.62	3.5

(\*) Con manometro - with pressure gauge  
 (\*\*) Senza manometro - without pressure gauge