

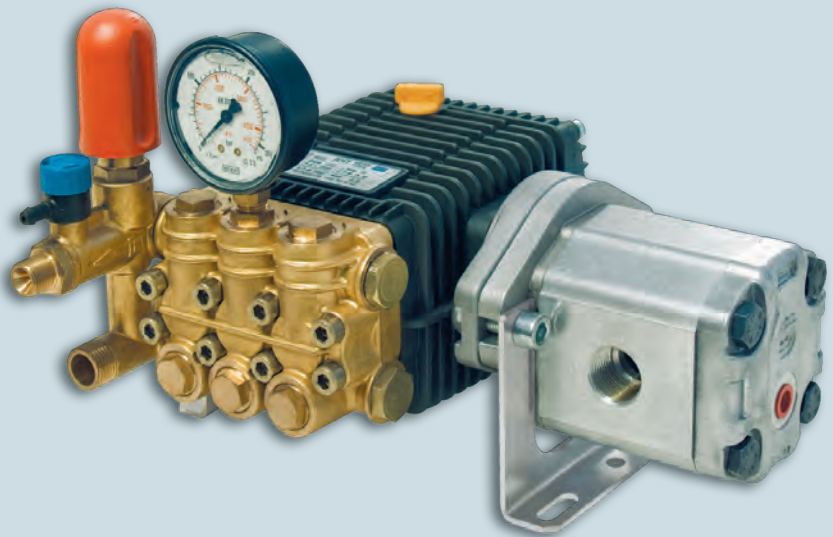
POMPE CON MOTORE IDRAULICO

HYDRAULIC MOTOR PUMPS - POMPES AVEC MOTEUR HYDRAULIQUE

CARATTERISTICHE - SPECIFICATIONS

		WHY	
IN	DIAMETER	∅	1/2 BSP
	PRESS.	Min.	1 bar 15 PSI
		Max.	6 bar 87 PSI
TEMP.	Max.	60° C. 140° F.	
OUT	DIAMETER	∅	3/8 BSP
SHAFT		∅	HOLLOW 14X17 DIN 5482
OIL		SAE 75W 90	0.5 Litri 0.13 U.S.G.
PESO WEIGHT		Kg / lbs	11.8 / 26
PISTONE PLUNG.	DIAMETER	mm	18
CORSA STROKE		mm	12.4

WHY 1520



KIT ACCESSORI - ACCESSORIES KIT - KIT ACCESSOIRES - KIT ACCESORIOS

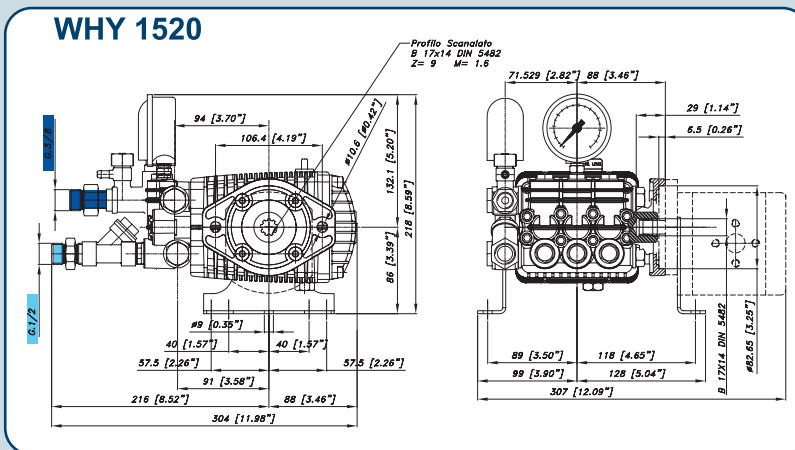
02.6198.97.A

Lancia- Pistola- Ugello – Filtro- Tubo di mandata 5/16”
 Lance– Gun- Nozzle –Filter- High pressure hose 5/16”
 Lance- Pistolet – Buse - Filtre- Tuyau de refoulement 5/16”
 Lanza- Pistola- Boquilla- Filtro- Manguera de alta presión 5/16”

07.3093.97.A

Lancia- Pistola- Ugello-Filtro- Tubo di mandata 3/8”
 Lance– Gun- Nozzle – Filter- High pressure hose 3/8”
 Lance- Pistolet – Buse- Filtre- Tuyau de refoulement 3/8”
 Lanza- Pistola- Boquilla- Filtro- Manguera de alta presión 3/8”

WHY 1520



CARATTERISTICHE - FEATURES

PERFORMANCE CHART

MODELLO MODEL CODICE CODE	L/min GPM	PRESS		RPM 950				RPM 1450				RPM 1725				Oil Pressure (hydraulic motor)	
		Bar	PSI	L/min	GPM	KW	HP	L/min	GPM	KW	HP	L/min	GPM	KW	HP	BAR	PSI
WHY 1520 02.6196.97.3	15.0 4.0	150	2175	8.7	2.3	2.6	3.4	13.0	3.4	3.8	5.1	15.0	4.0	4.4	5.9	50	725
		180	2610	8.7	2.3	3.1	4.1	12.9	3.4	4.6	6.1	14.9	3.9	5.3	7.1	60	870
		200	2900	8.6	2.3	3.4	4.5	12.9	3.4	5.1	6.8	14.9	3.9	5.8	7.8	80	1160

PORTATA OLIO MOTORE IDRAULICO
 HYDRAULIC MOTOR OIL FLOW

22 5.8	32 8.4	38 10
--------	--------	-------

