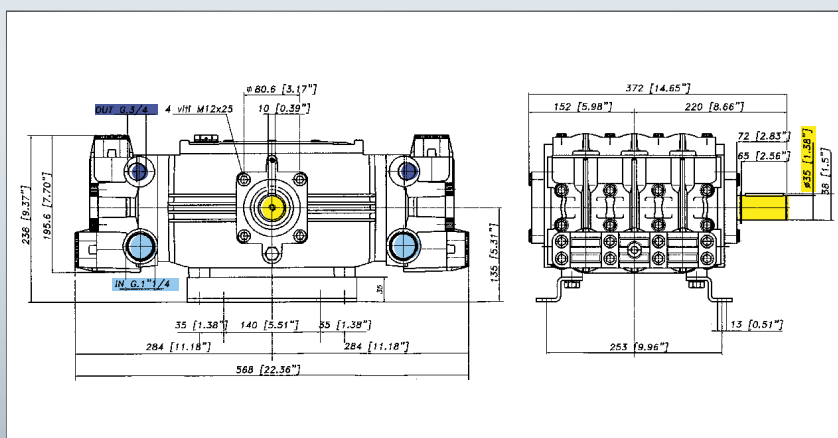


CARATTERISTICHE - SPECIFICATIONS

IN	DIAMETER	\varnothing	(N°2) 1" 1/4 BSP
	PRESS.	Min.	-0.2 bar - 3 PSI
		Max.	6 bar 87 PSI
TEMP.	Max.	60° C. 140° F.	
OUT	DIAMETER	\varnothing	(N°2) 3/4 BSP
SHAFT		\varnothing	35 mm
OIL		SAE 75W90	2,8 litri 0,74 U.S.G.
PESO WEIGHT		Kg / lbs	75.2 / 165.4



CARATTERISTICHE - FEATURES

PERFORMANCE CHART

MODELLO MODEL CODICE PART NR.	MAX		PRESS		RPM 1000				RPM 1450				RPM 1725				PIST. CORSA PLUNG. STROKE	
	L/min	GPM	Bar	PSI	L/min	GPM	KW	HP	L/min	GPM	KW	HP	L/min	GPM	KW	HP	Dia. mm	mm
C 1538 76.8002.97.3	168	44.4	70	1015	109	28.7	15.0	20.1	151	39.9	20.8	27.9	168	44.4	23.1	31.0	38	16.5
			90	1305	108	28.6	19.1	25.7	150	39.7	26.6	35.7	167	44.2	29.6	39.7		
			105	1523	108	28.5	22.2	29.8	150	39.6	30.9	41.4	166	44.0	34.3	46.0		

CARATTERISTICHE - FEATURES

PERFORMANCE CHART

MODELLO MODEL CODICE PART NR.	MAX		PRESS		RPM 550				RPM 750				RPM 1000				PIST. CORSA PLUNG. STROKE	
	L/min	GPM	Bar	PSI	L/min	GPM	KW	HP	L/min	GPM	KW	HP	L/min	GPM	KW	HP	Dia. mm	mm
C 1248 76.8005.97.3	201	53.2	50	725	112	29.6	11.0	14.7	153	40.3	15.0	20.1	201	53.2	19.8	26.5	45	22
			65	943	111	29.4	14.2	19.1	152	40.1	19.4	26.0	200	52.9	25.6	34.3		
			80	1160	111	29.3	17.4	23.3	151	39.9	23.7	31.8	199	52.7	31.3	42.0		
C 1258 76.8000.97.3	254	67.0	50	725	142	37.6	14.0	18.8	194	51.3	19.1	25.6	254	67.0	24.9	33.4	45	28
			65	943	142	37.4	18.1	24.3	193	51.1	24.7	33.1	252	66.7	32.2	43.2		
			80	1160	141	37.3	22.2	29.7	192	50.8	30.2	40.5	251	66.3	39.4	52.9		

For reliable state-of-the-art high pressure

Cold and Hot water cleaning solutions...

