

highest quality hydraulic pumps of the art

THY 2715

POMPA PER MOTORE IDRAULICO - PUMP FOR HYDRAULIC MOTOR
 POMPE POUR MOTEUR HYDRAULIQUE - BOMBA PARA MOTOR HIDRÁULICO

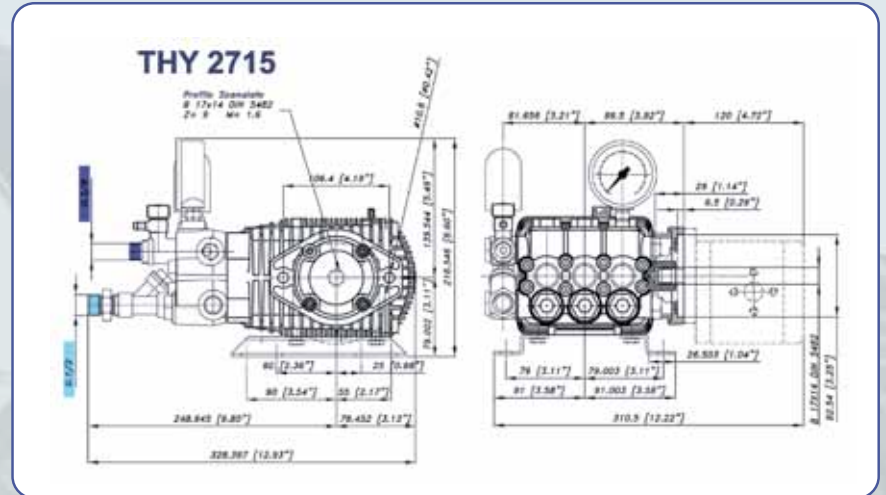
CARATTERISTICHE - SPECIFICATIONS

		WHY	
IN	DIAMETER	∅ 1/2 BSP (PUMP) 1/2 BSP (VALVE)	
	PRESS.	Min.	1 bar 15 PSI
		Max.	6 bar 87 PSI
TEMP.	Max.	60° C. 140° F.	
OUT	DIAMETER	∅	3/8 BSP
SHAFT		∅	HOLLOW 14X17 DIN 5482
OIL		SAE 75W 90	0.7 Litri 0.18 U.S.G.
PESO WEIGHT		Kg / lbs	10.9/24 (PUMP) 15.5/34.1 (MOTOR PUMP)
PISTONE PLUNG.	DIAMETER	mm	20
CORSA STROKE		mm	18

KIT ACCESSORI - ACCESSORIES KIT - KIT ACCESSOIRES - KIT ACCESORIOS (OPTIONAL)

02.6198.97.A

Lancia- Pistola- Ugello - Filtro- Tubo di mandata 5/16" - Lance- Gun- Nozzle - Filter- High pressure hose 5/16"
 Lance- Pistolet - Buse - Filtre- Flexible H.P. 5/16" - Lanza- Pistola- Boquilla- Filtro- Manguera de alta presión 5/16"



07.3090.97.3
POMPA PER MOTORE IDRAULICO
 (Manometro e kit piedini inclusi)
PUMP FOR HYDRAULIC MOTOR
 (Pressure gauge and mounting rails kit included)
POMPE POUR MOTEUR HYDRAULIQUE
 (Equipement fourni: manomètre et kit supports)
BOMBA PARA MOTOR HIDRÁULICO
 (Manómetro y juego de pies incluidos)

07.3091.97.3
POMPA CON MOTORE IDRAULICO
HYDRAULIC MOTOR PUMP
POMPE AVEC MOTEUR HYDRAULIQUE
BOMBA CON MOTOR HIDRÁULICO



CARATTERISTICHE - FEATURES

PERFORMANCE CHART

CODICE PART NR.	MAX		PRESS		RPM 950				RPM 1450				RPM 1725				Oil Pressure (hydraulic motor)	
	L/min	GPM	Bar	PSI	L/min	GPM	KW	HP	L/min	GPM	KW	HP	L/min	GPM	KW	HP	Bar	PSI
THY 2715			100	1450	15.7	4.1	3.1	4.1	23.4	6.2	4.6	6.2	27.0	7.1	5.3	7.1	60	870
07.3090.97.3	27.0	7.1	125	1813	15.6	4.1	3.8	5.1	23.3	6.2	5.7	7.7	26.9	7.1	6.6	8.9	90	1305
07.3091.97.3			150	2175	15.5	4.1	4.6	6.1	23.2	6.1	6.8	9.2	26.8	7.1	7.9	10.6	100	1450
					22	5.8			32	8.4			38	10				

PORTATA OLIO MOTORE IDRAULICO
 HYDRAULIC MOTOR OIL FLOW